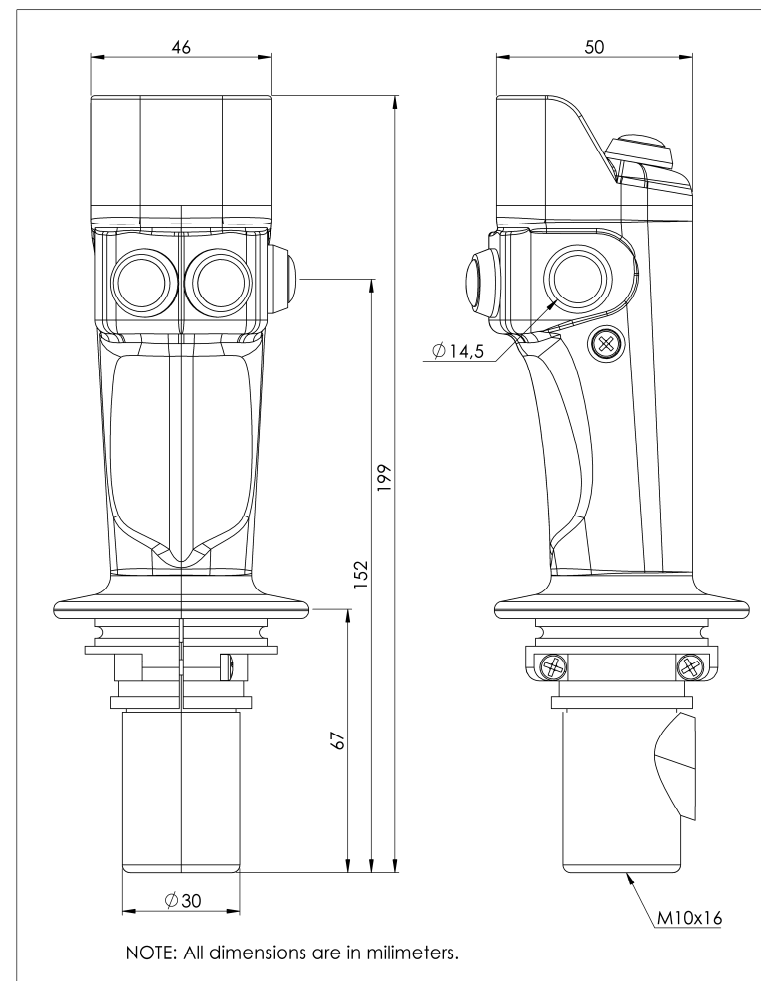
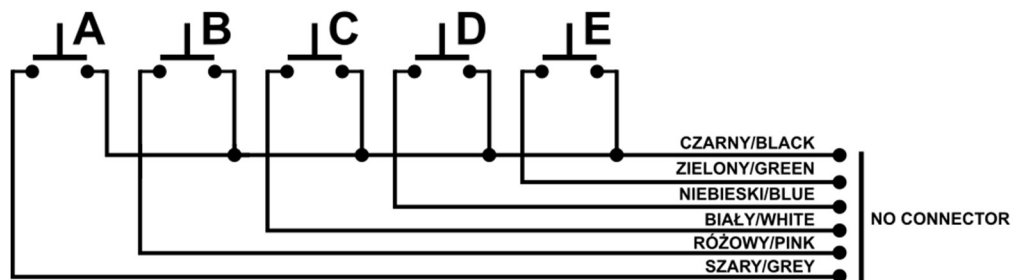
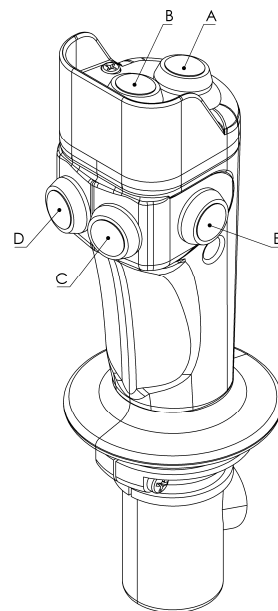


RAJB2102-M10xxAE schematic v100



www.rapitronics.pl

Rapitronics assumes no responsibility or liability for any errors or inaccuracies that may appear in the present document. Specification and information contained in the present schematic are subject to change at any time without notice. Copyright©2022 Rapitronics. All rights reserved.